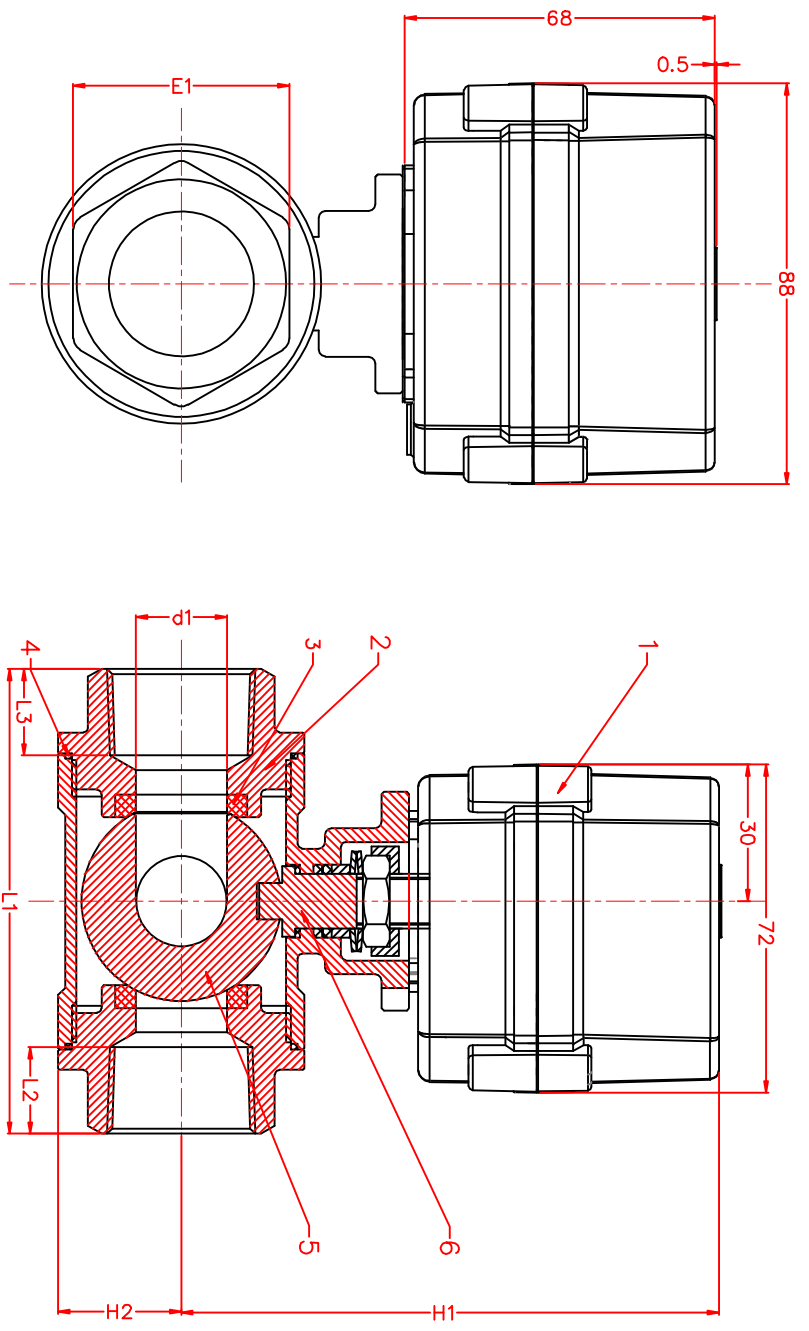


PART CODE :



T25(1")	Electric valve	1"	18	85	17	38.5	114.5	23.5
T20(3/4")	Electric valve	3/4"	15	75	16	31	107	20
T15(1/2")	Electric valve	1/2"	12	68	15	24.5	104	18
DESCRIPTION		D1/D2	d1	L1	L2/L3	E1	H1	H2

No.	NAME	Material	Specification	Quantity
6	Stem	stainless steel	304	1
5	Ball	stainless steel	304	1
4	Sealing	PTFE		2
3	Sealing	PTFE		1
2	Body Cover	stainless steel	304	1
1	Actuator	PP0		1

MATERIAL	DRN & DATE	TITLE	MODEL NO
QTY/SET	CHK & DATE	A100-T Electric valve	
FINISH	APRD & DATE		DRG NO/PPD REF NO
TREATMENT			A100-02-016
COLOUR	MM	SCALE	SHEET NO
UNIT			ISSUE