

Taizhou Tonhe Flow Control Co., Ltd

Contact: yoyo zhang Email:tohe08@china-tonhe.com
Skype:meizi2661 Mobile:+86-18957612187
URL: www.china-tonhe.com | www.motorized-valve.com

Tonhe A100-T Series

MOTORIZED SS304 BALL VALVE

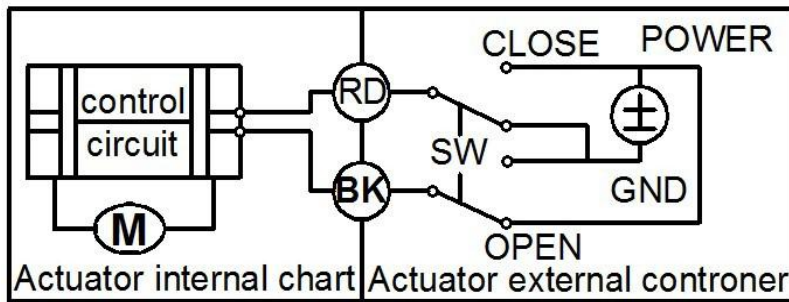


Technical Parameters:

Product size	NPT/BSP 1-1/4" 1-1/2" 2" (2-way vavle)
	NPT/BSP 1/2" 3/4" 1" (3-way vavle) (Optional)
Maximum working pressure	1.0 MPa
Circulation medium	Fluid, air
Rated voltage	DC12V DC24V AC/DC9-35V AC110-230V (Optional)
Wiring control methods	<input type="checkbox"/> CR2-01 <input type="checkbox"/> CR2 02 <input type="checkbox"/> CR3-03 <input type="checkbox"/> CR4-01 <input type="checkbox"/> CR5-01 <input type="checkbox"/> CR5-02 (Optional)
Working current	≤A
Open/close time	≤15S
Life time	70000 times
Valve Body material	304 Stainless steel
Actuator material	Engineering Plastics
Sealing material	FKM & PTFE
Actuator rotation	90°
Max. torque force	10N.M
Cable Length	0.5m
Environment temperature	-15℃~50℃
Liquid temperature	2℃~120℃
Manual override	No
Indicator	Yes
Protection class	IP67
Certificate	CE(LVD EMC), ROHS, NSF61-G
Company passed	ISO9001:2015

Wiring diagram

CR2 01 Wiring Diagram (2 wires control)



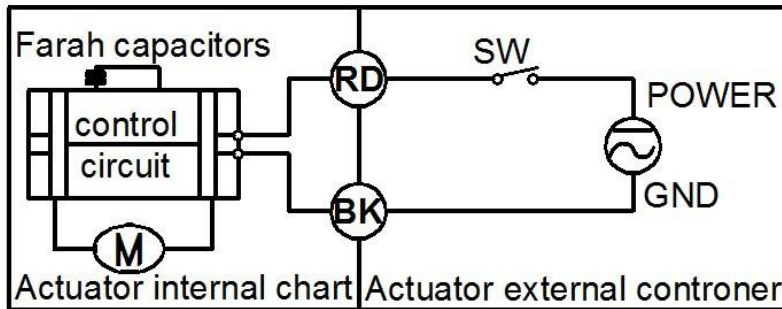
·RD connect with positive, the BK connect with negative, the valve closed, the actuator automatically power off after in place , the valve remains fully closed position .

·BK connect with positive, the RD connect with negative, the valve open, the actuator automatically power off after in place, the valve remains fully open position .

* Suitable Working Voltage: **DC12V, DC24V**

* Exceeding the working voltage is forbidden

CR2 02 Wiring Diagram (2 wires control – “Spring return” in case of the power is failure)



·When SW is closed , the valve open. the actuator automatically power off after in place

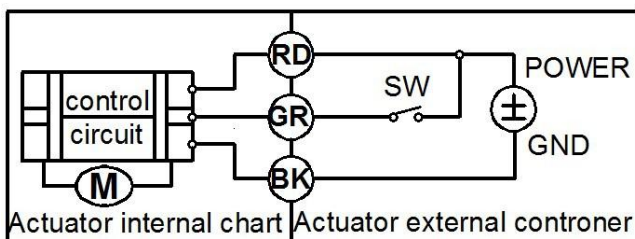
·When SW is open, the valve closed, the actuator automatically power off after in place

* Suitable Working Voltage: **AC/DC9-35V, AC110V-230V**

* Exceeding the working voltage is forbidden

Please Note A100 CR2 02 must need charge time >1 minut for every time use

CR3 03 Wiring Diagram (3 wires control)



• RD connect with positive, GR connect with SW & positive

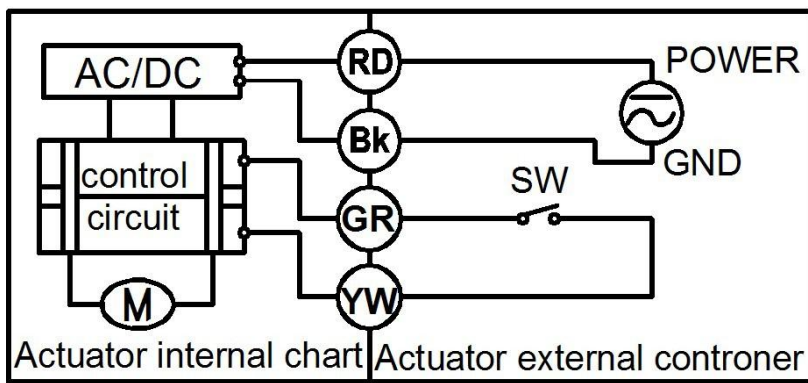
• BK connect with negative

• When the SW of GR closed, the valve OPEN, the actuator automatically power off after in place , remains fully closed position

• When the SW of GR open, the valve CLOSED, the actuator automatically power off after in place , remains fully open position.

* Suitable Working Voltage: **AC/DC12V, AC/DC24V, AC110-230v**

CR4 01 Wiring Diagram (4 wires control)

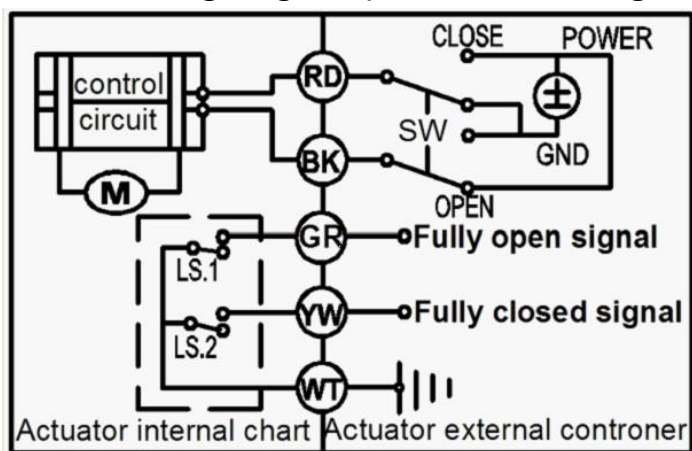


1. RD & BK are connected to the power, GY & GR are connected to the controlled wiring.
2. When the SW is closed, the valve open
3. When the SW is open, the valve closed

Suitable Working Voltage: **AC110V-230V**

Exceeding the working voltage is forbidden

CR5 01 Wiring diagram (with feedback signal)

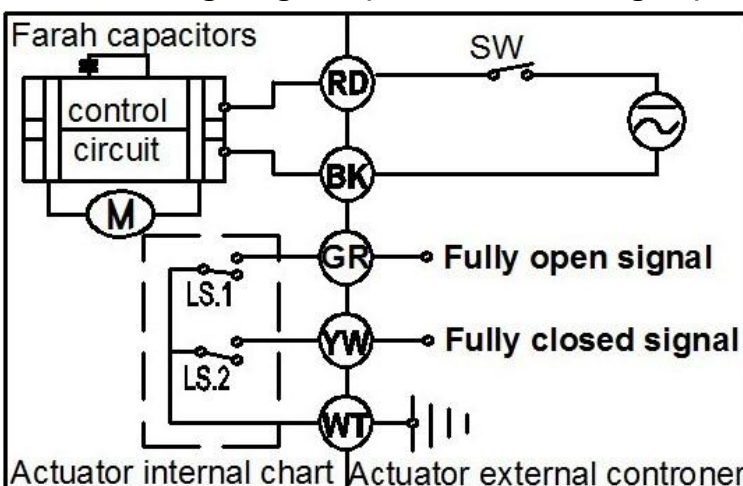


1. RD connect with positive, the BK connect with negative, the valve closed, the actuator automatically power off after in place .
2. BK connect with positive, the RD connect with negative, the valve open, the actuator automatically power off after in place .
4. GR & WT are connect when the valve open fully, YW & WT are connect when the valve closed fully

Suitable Working Voltage: **DC12V, DC24V**

Exceeding the working voltage is forbidden

CR5 02 Wiring diagram (with feedback signal)

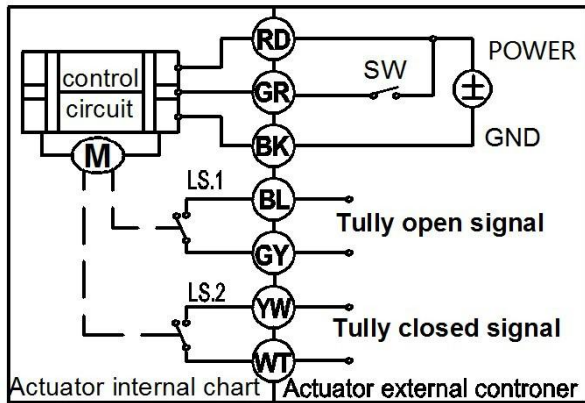


·When SW is closed, the valve open. the actuator automatically power off after in place

·When SW is open, the valve closed, the actuator automatically power off after in place

- * GR & WT are connect when the valve open fully, YW & WT are connect when the valve closed fully
- * Suitable Working Voltage: **AC/DC9-35V, AC110V-230V**
- * Exceeding the working voltage is forbidden

CR7 03 Wiring Diagram (7 wires control with feedback signal)



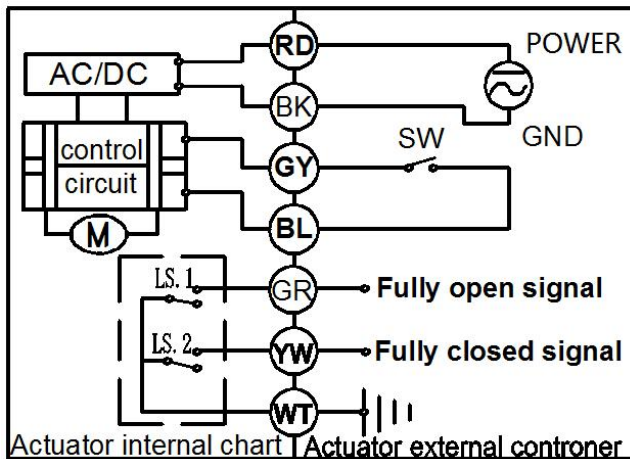
- RD& GR connect with positive, the BK connect with negative。
- SW CLOSED, the valve OPEN, the actuator automatically power off after in place
- SW OPEN, the valve CLOSED, the actuator automatically power off after in place.
- BL & GY connect with the valve's fully open signal wiring
- YW & WT connect with the valve's fully closed signal wiring.

- * Suitable Working Voltage: **AC/DC12V, AC/DC24V**
- * Exceeding the working voltage is forbidden

Feedback wire capacity:

1. maximum voltage DC36V, AC220V; 2. maximum current 0.4 A.

CR7 04 Wiring Diagram (7 wires control with feedback signal)



- RD & BK are connected to the power, GR & BL are connected to the controlled wiring.
- When the SW is closed , the valve open
- When the SW is open , the valve closed
- GR & WT connect with the valve's fully open signal wiring
- YW & WT connect with the valve's fully closed signal wiring.

Suitable Working Voltage: **AC110V-230V**

- * Exceeding the working voltage is forbidden